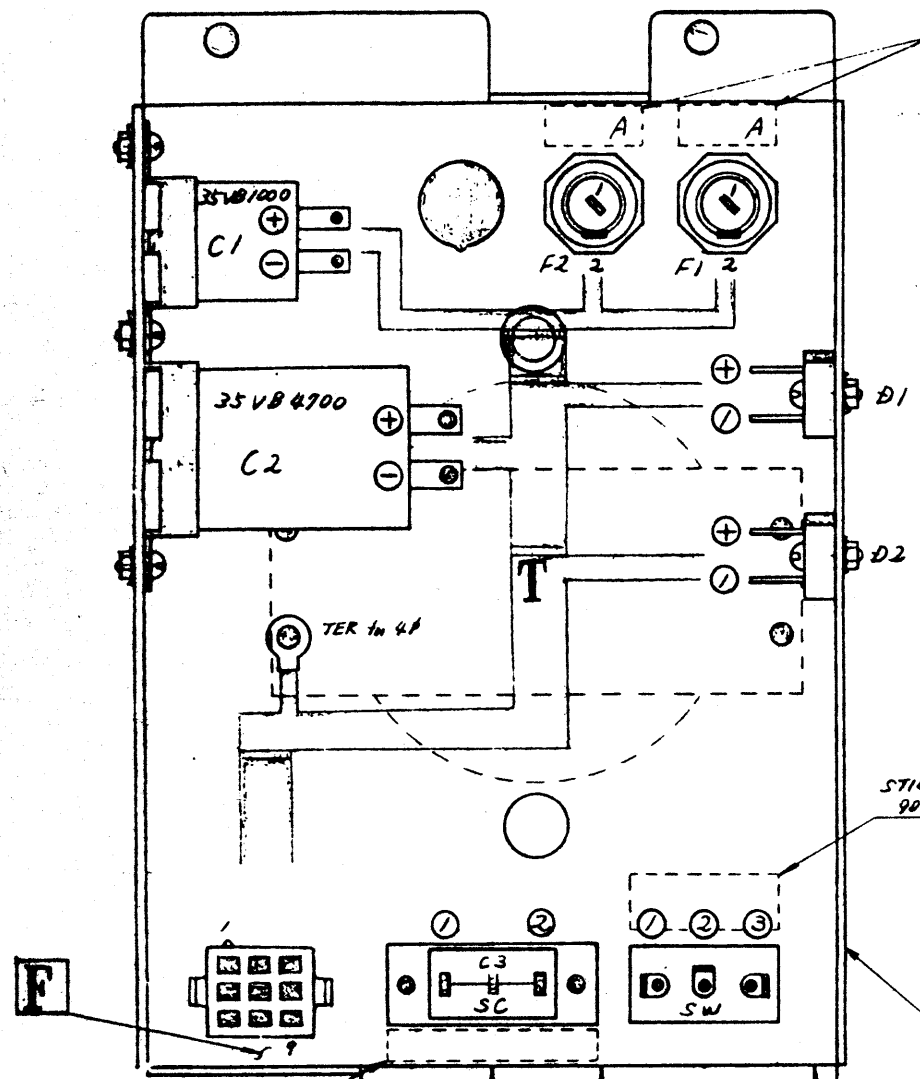
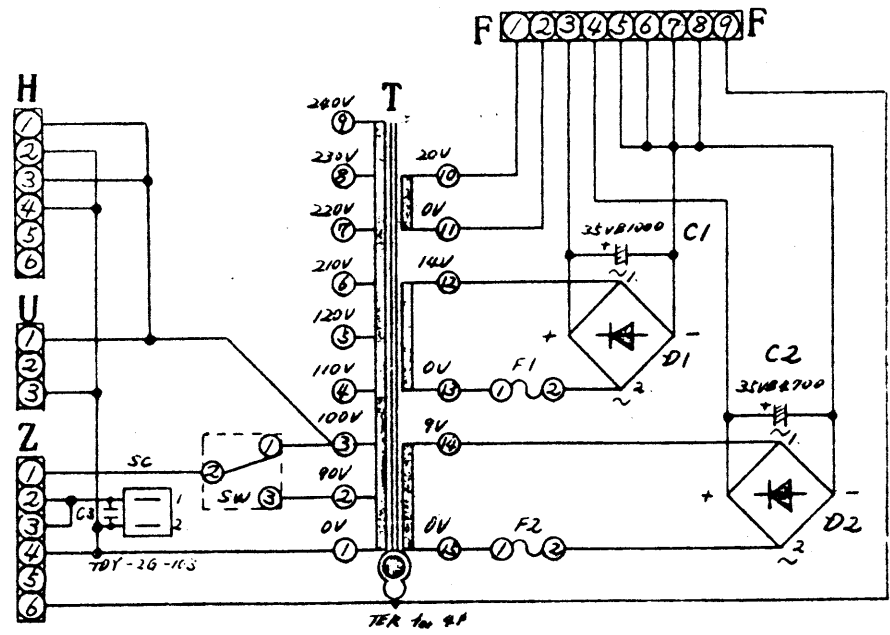
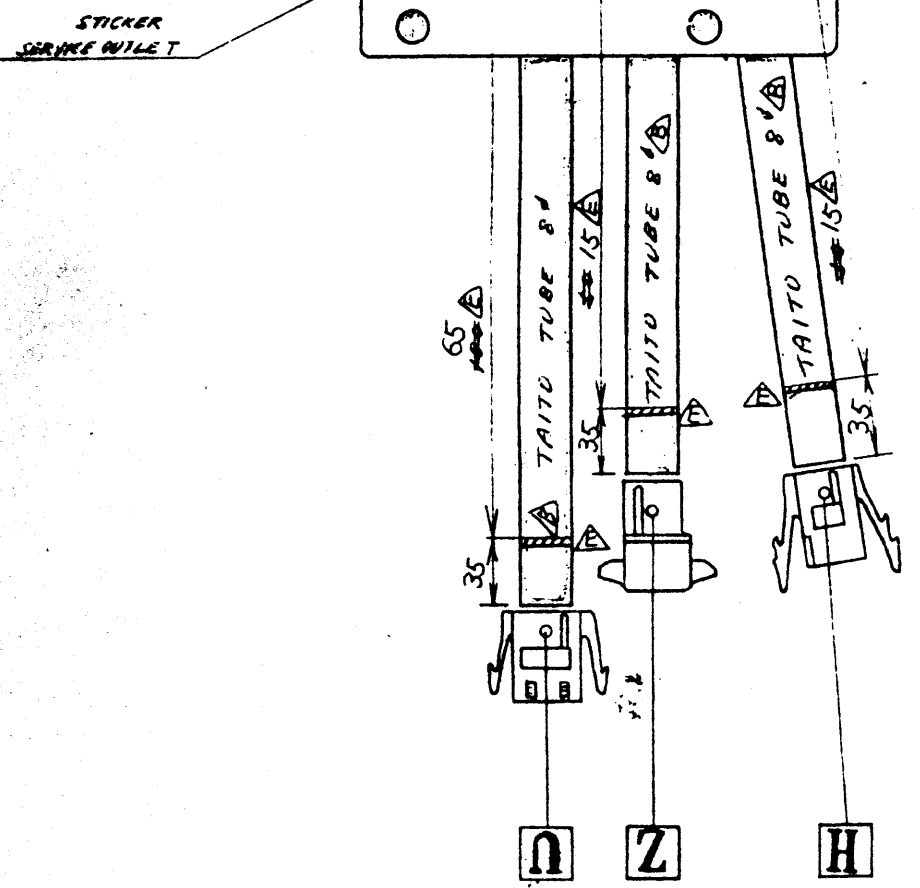


△	M-13-31	1470	1/2	今村
△	M-13-51	5788	3/4	今村
△	M-13-52	3474	3/4	工村
△	M-13-56	777	3/4	今村



NO	WIRING	W-C	UL	AWG	DESCRIPTION
1	Z(1) — SW(2)	W-BK	1007	#18	
2	Z(2) — SC(1)	BR			
3	Z(3) — SC(1)	BR			
4	Z(4) — SC(2)	W			
5	Z(6) — TER — F(9)	G			EARTH
6	SC(2) — H(2)	W			AC 0V
		H(4)	W		
7	T(1) — SC(2)	W			AC 90V
		U(3)	W		
8	T(2) — SW(3)	GY			AC 100V
9	T(3) — SW(1)	BR			
		U(1)	BR		
10	SW(1) — H(1)	BR			AC 20V
		H(3)	BR		
11	T(10) — F(1)	O			AC 14V
12	T(11) — F(2)	O			
13	T(12) — D1(1)	BL			AC 9V
14	T(13) — F1(1)	BL			
15	T(14) — D2(1)	R			
16	T(15) — F2(1)	R			
17	F1(2) — D1(2)	BL			
18	F2(2) — D2(2)	R			
19	D1(+) — C1(+) — F(3)	GY			+18V
20	D1(-) — C1(-) — F(5,6)	BK			GND
21	D2(+) — C2(+) — F(4)	Y			+13V
22	D2(-) — C2(-) — F(7,8)	DK			GND
23	C1(-) — C2(-)	BK	1007	#18	
24	SC(1) — SC(2)				

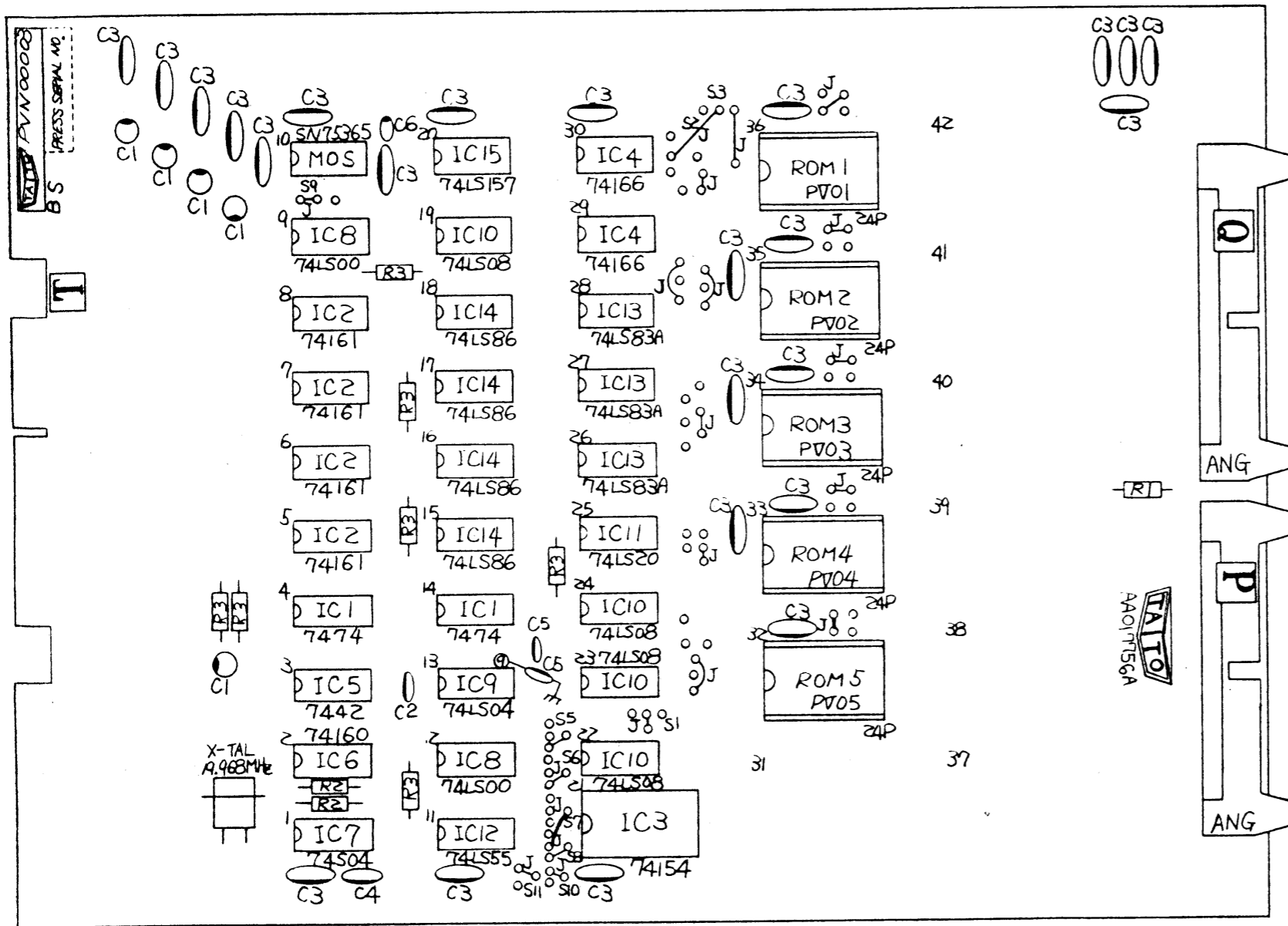
NO	SYN	PART OR IDENTIFYING NO.	NOMENCLATURE OR DESCRIPTION	QTY
49	△		FLANGING NUT M3	6
49	△		FLANGING NUT M4	4
49	△	AA069599	TAITO TUBE 8"	3
47	△	AA069532	CONVEX CU-100	1
46	△	18506	GROMMET M6-79E	1
45		17635	CONNECTOR STICKER H	1
44	H	55790	SOCKET PIN	4
43		55562	MATE-N-LOK SOCKET 6P WHITE	1
42		17683	CONNECTOR STICKER Z	1
41	Z	55789	PLUG PIN	5
40		55561	MATE-N-LOK PLUG 6P WHITE	1
39		17629	CONNECTOR STICKER F	1
38	F	55790	SOCKET PIN	9
37		55582	MATE-N-LOK SOCKET 9P WHITE	1
36		17668	CONNECTOR STICKER U	1
35	U	55790	SOCKET PIN	2
34		AA055522	MATE-N-LOK SOCKET 3P WHITE	1
33	△		NUT M3	2
32	△		LOCK WASHER 3M	2
31			PLAIN WASHER 3M	2
30			PAN HD SCREW M3 X 8	2
29	C2	AA041175	CAP. ELECTROLYTIC 35LASN 4700	1
28	△		NUT M3	2
27	△		LOCK WASHER 3M	2
26			PLAIN WASHER 3M	2
25			PAN HD SCREW M3 X 8	2
24	C1	AA041172	CAP. ELECTROLYTIC 35LASN 1000	1
23	△		NUT M3	2
22	△		LOCK WASHER 3M	2
21			PAN HD SCREW M3 X 14	2
20	D1.2	AA014029	RECTIFIER 54VB	2
19		AA017	FUSE STICKER	1
18		17	FUSE STICKER	1
17	F2	63	FUSE	1
16	F1	63	FUSE	1
15		55700	FUSE HOLDER F4000	2
14		17502	SERVICE OUTLET STICKER	1
13		AA017711	STICKER 90V-100V	1
12			PAN HD SCREW M3 X 8	2
11	C3	AA041293	CAP. FILM TDY-26-103	1
10	SC	AA055788	AC SOCKET Box-TYPAL	1
9	SW	AA052535	TOGGLE SWITCH 5-2A	1
8			NUT M4	1
7	TER	AA056504	ROUND-TYPE TERMINAL for 4P	1
6			PLAIN WASHER 4M	4
5	△		PAN HD SCREW M4 X 20	4
4	T	AA057575	TRANSFORMER	1
3	△		NUT M4	2
2	△	AA061025	PLAIN WASHER 4.5 X 10 X 2	2
1		AA013610	TRANSFORMER MOUNTING BOX	1



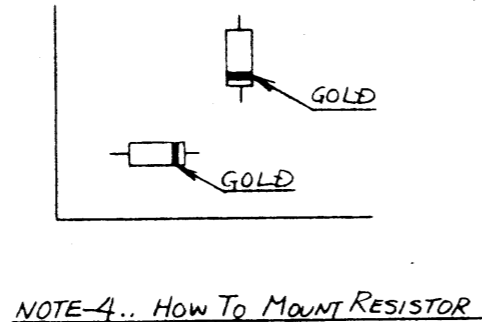
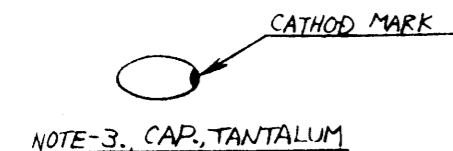
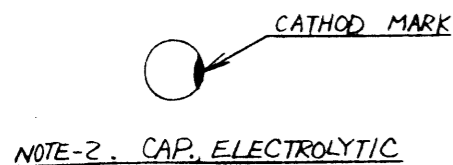
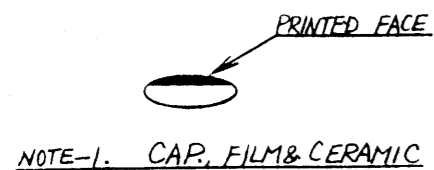
NOTES) COVER THE AC 100(V) LINE WITH INSULATION TUBING.
 PAINT-LOCK ALL SCREWS AND NUTS, (EXCEPT WING NUTS AND WOOD SCREWS.)

全てのビス、ナット類にネジロックを、但し蝶ナット、木ネジ類は除く。 T.T. SPACE INSEADER COLOR

THIRD ANGLE PROJECTION		PARTS LIST	
UNLESS OTHERWISE SPECIFIED DIMENSIONS ARE IN MILLIMETERS	DESIGN: [Signature]	TAITO CORPORATION.	
GENERAL DIMENSIONS: ±	CHECK: [Signature]	NAME: CV-TRANSFORMER MOUNTING Box	
ANGLES: ±	APPROVED: [Signature]	SIZE: ASSY	
NATIONAL	APPROVED: [Signature]	SCALE: CTN00007	
FINISH:	DO NOT SCALE DRAWING	RELEASE DATE:	



ITEM NO	SYM	PART NO IDENTIFYING NO	NOMENCLATURE OR DESCRIPTION	QTY REQD
47				
46				
45				
44				
43				
42				
41				
40	J		TINNED COPPER WIRE 1φ	200
39				
38	R3	AAT 51765	RES. CARBON, 1K OHM 1/4W 5% 7	
37	R2	51753	" " " 330 " " 2	
36	R1	51733	RES. CARBON, 47 OHM 1/4W 5% 1	
35	C6	41425	CAP., TANTALUM, 55G25-1F 1	
34	C5	41330	CAP., CERAMIC, 330PF 2	
33	C4	41324	CAP., CERAMIC, 180PF 1	
32	C3	41244	CAP., FILM, TDY-1H-104 24	
31	C2	41232	CAP., FILM, TDY-1H-102 1	
30	C1	AAT 41032	CAP., ELECTROLYTIC, 25V8-10 5	
29	ROM5	PVO 90005	P-ROM, PVO5 1	
28	ROM4	90004	" " " PVO4 1	
27	ROM3	90003	" " " PVO3 1	
26	ROM2	90002	" " " PVO2 1	
25	ROM1	PVO 90001	P-ROM, PVO1 1	
24	MOS	AAT 35002	MOS DRIVER, SN75365 1	
23	IC15	33112	L S I.C, 74LS157 1	
22	IC14	33062	" " " 74LS86 4	
21	IC13	33059	" " " 74LS83A 3	
20	IC12	33043	" " " 74LS55 1	
19	IC11	33019	" " " 74LS20 1	
18	IC10	33009	" " " 74LS08 4	
17	IC9	33005	" " " 74LS04 1	
16	IC8	33001	L S I.C, 74LS00 2	
15	IC7	32096	TTL I.C, 74S04 1	
14	IC6	32086	" " " 74160 1	
13	IC5	32039	" " " 7442 1	
12	IC4	32028	" " " 74166 2	
11	IC3	32027	" " " 74154 1	
10	IC2	32018	" " " 74161 4	
9	IC1	AAT 32011	TTL I.C, 7474 2	
8	X-TAL	AAO 69539	X-TAL, 19.968 MHz 1	
7	24P	55787	I C SOCKET, 24P 5	
6	ANG	55154	ANGLE PIN HEADER, 15-50PA 2	
5	T	17665	CONNECTOR STICKER, T 1	
4	Q	17656	" " " Q 1	
3	P	AAO 17653	CONNECTOR STICKER, P 1	
2	B.S	PVO 700011	P.C BOARD STICKER(B) 1	
1		AAO 17756A	C.P.U.-P.C BOARD (A) 1	



PARTS LIST

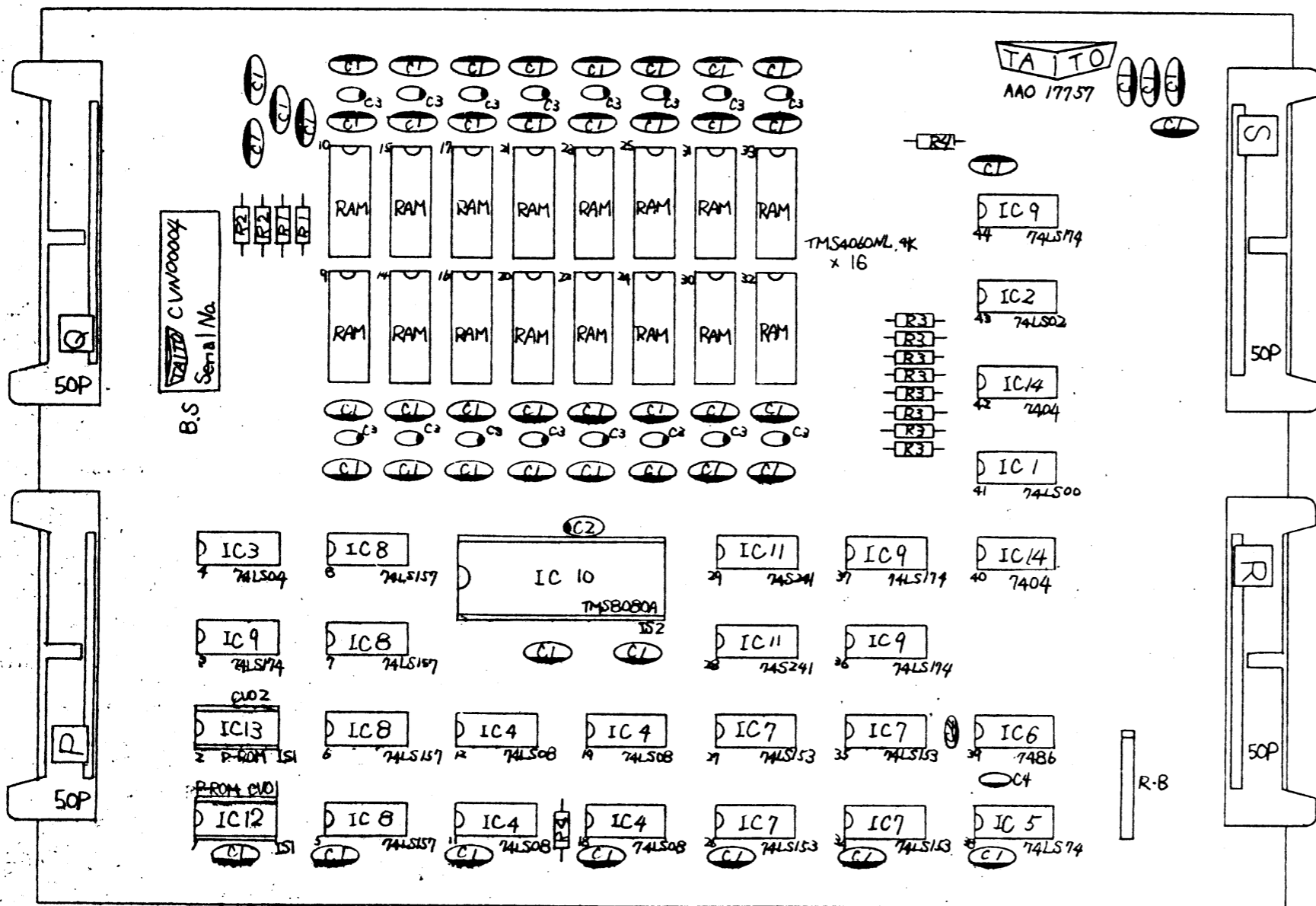
THIRD ANGLE PROJECTION UNLESS OTHERWISE SPECIFIED DIMENSIONS ARE IN MILLIMETERS TOLERANCES	DESIGN J. Sugahara	TAITO CORPORATION	
GENERAL HOLE DIA ANGLES	CHECK J.S.	T.T. SPACE INVADERS	
MATERIAL	APPROVED J.S.	NAME PART I COLOR P.V.-C.P.U.-P.C BOARD Assy (2716)	
FINISH	APPROVED J.S.	SIZE A2	DATE NO PVN00003
DO NOT SCALE DRAWING		SCALE	RELEASE DATE

ITEM NO.	SYM	PLANT OR REFERENCE NO.	DESCRIPTION OR IDENTIFICATION	QTY	BY
47					
46					
45					
44					
43					
42					
41					
40					
39					
38					
37					
36					
35					
34					
33	IS2	AAO 55812	I.C. SOCKET 40P	1	
32	IS1	AAO 55103	I.C. SOCKET 18P	2	
31	IC4	AAT 32003	TTL I.C. 7404	2	
30	C4	AAT 41318	CAP. CERAMIC DR201 100PF 50V	2	
29	IC3	CVO 90002	P-ROM CVO2	1	
28	IC12	CVO 90001	P-ROM CVO1	1	
27	RB	AAT 55041	RESISTOR BLOCK 470 OHM 8x10mm	1	
26	R4	" 51765	RES. CARBON 1K OHM 1/4W ±5%	2	
25	R3	" 51753	" 330 " "	8	
24	R2	" 51745	" 150 " "	2	
23	R1	" 51729	RES. CARBON 33 OHM 1/4W ±5%	2	
22	C3	" 41425	CAP. TANTALUM, 55G25-1F	16	
21	C2	" 41424	CAP. TANTALUM, 55G16-33E	1	
20	C1	" 41244	CAP. FILM, TDY-14-104	50	
19	IC11	" 35001	BUS DRIVER, 74S241	2	
18	IC10	" 34001	C.P.U., TMS8080A	1	
17	IC9	" 33127	LS I.C., 74LS174	4	
16	IC8	" 33112	" 74LS157	4	
15	IC7	" 33108	LS I.C., 74LS153	4	
14	IC6	" 32013	TTL I.C., 7486	1	
13	IC5	" 33051	LS I.C., 74LS74	1	
12	IC4	" 33009	" 74LS08	4	
11	IC3	" 33005	" 74LS04	1	
10	IC2	" 33003	" 74LS02	1	
9	IC1	" 33001	LS I.C., 74LS00	1	
8	RAM	AAT 32091	DYNAMIC RAM, TMS4060NL4K	16	
7	50P	AAO 55154	ANGLE PIN HEADER, PS-50PA	4	
6	S	" 17662	CONNECTOR STICKER, S	1	
5	R	" 17659	" R	1	
4	Q	" 17656	" Q	1	
3	P	AAO 17653	CONNECTOR STICKER, P	1	
2	B.S	CVO 70003	P.C. BOARD STICKER (B)	1	
1		AAO 17757	C.P.U.-PC BOARD (B)	1	

PARTS LIST

THIRD ANGLE PROJECTION		DRAWN 8.21.78	
UNLESS OTHERWISE SPECIFIED DIMENSIONS ARE IN MILLIMETERS		DESIGN J. S. ...	
GENERAL	±	CHECK	8.24.78
HOLE DIA	+	APPROVED	
ANGLES	±	APPROVED	
MATERIAL		APPROVED	
FINISH		APPROVED	
DO NOT SCALE DRAWING		SCALE	

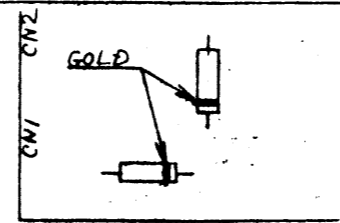
TAITO CORPORATION	
NAME	C-V-C.P.U.-BOARD (B) Assy
PROJECT	T.T. SPACE INVADER COLOR
SIZE	A2
DATE	8.24.78
SCALE	1:1
RELEASE DATE	
SHEET	1



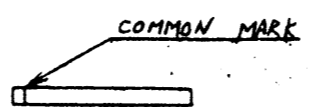
NOTE-1. CAP., FILM



NOTE-2. CAP. TANTALUM

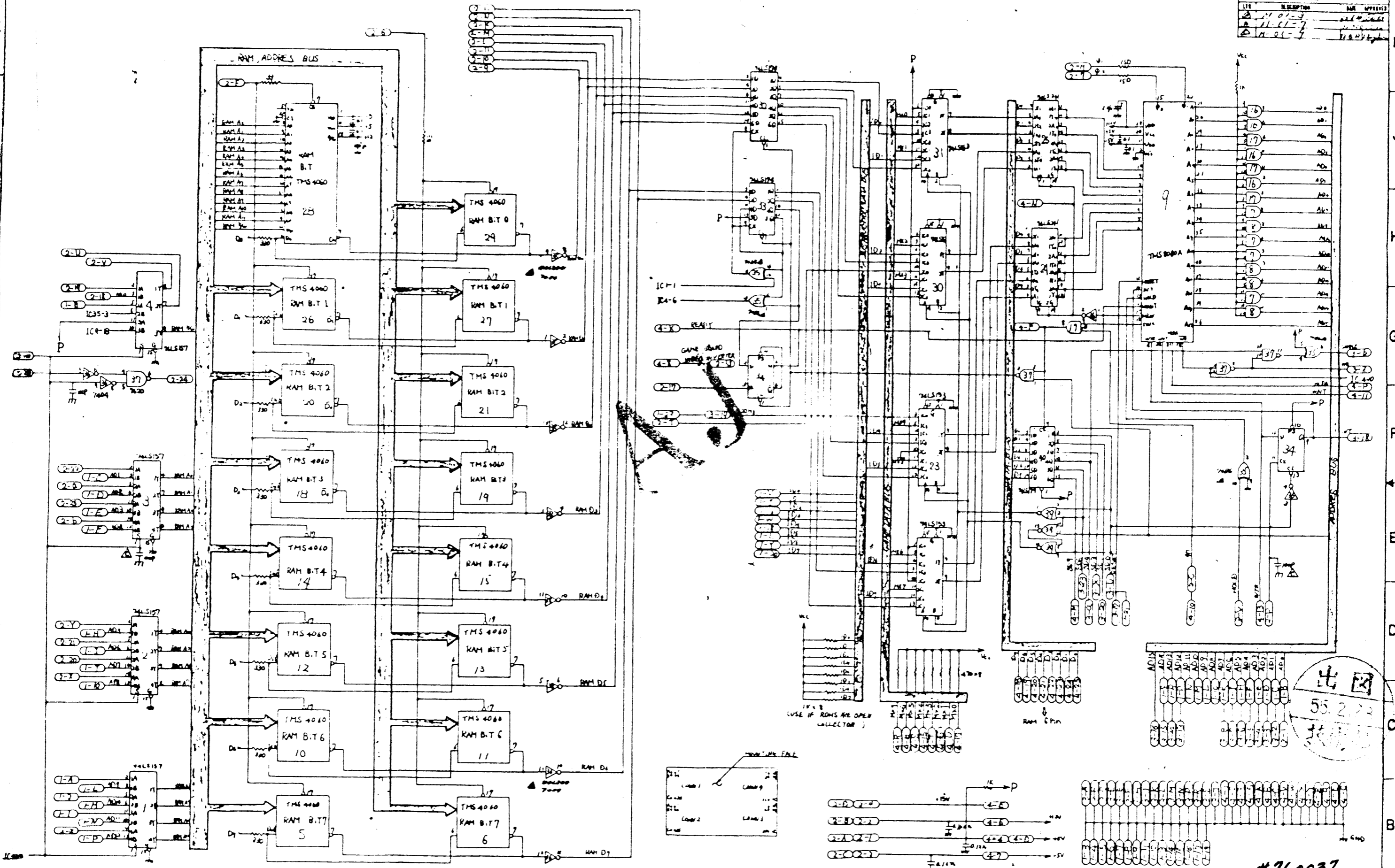


NOTE-3. HOW TO MOUNT RESISTOR



NOTE-4. RESISTOR BLOCK

REV	DESCRIPTION	DATE	APPROVED
1	01-3		
2	11-11-7		
3	11-25-7		

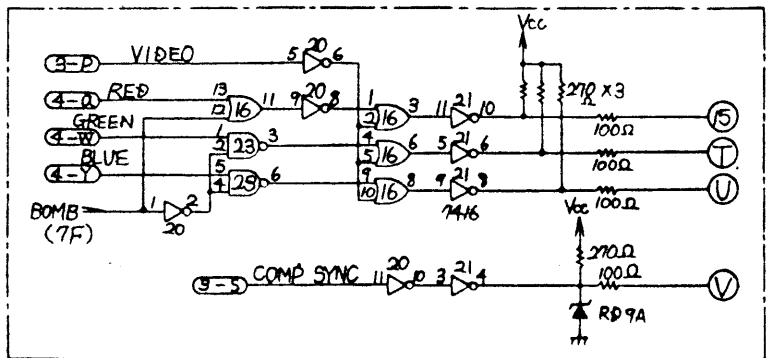
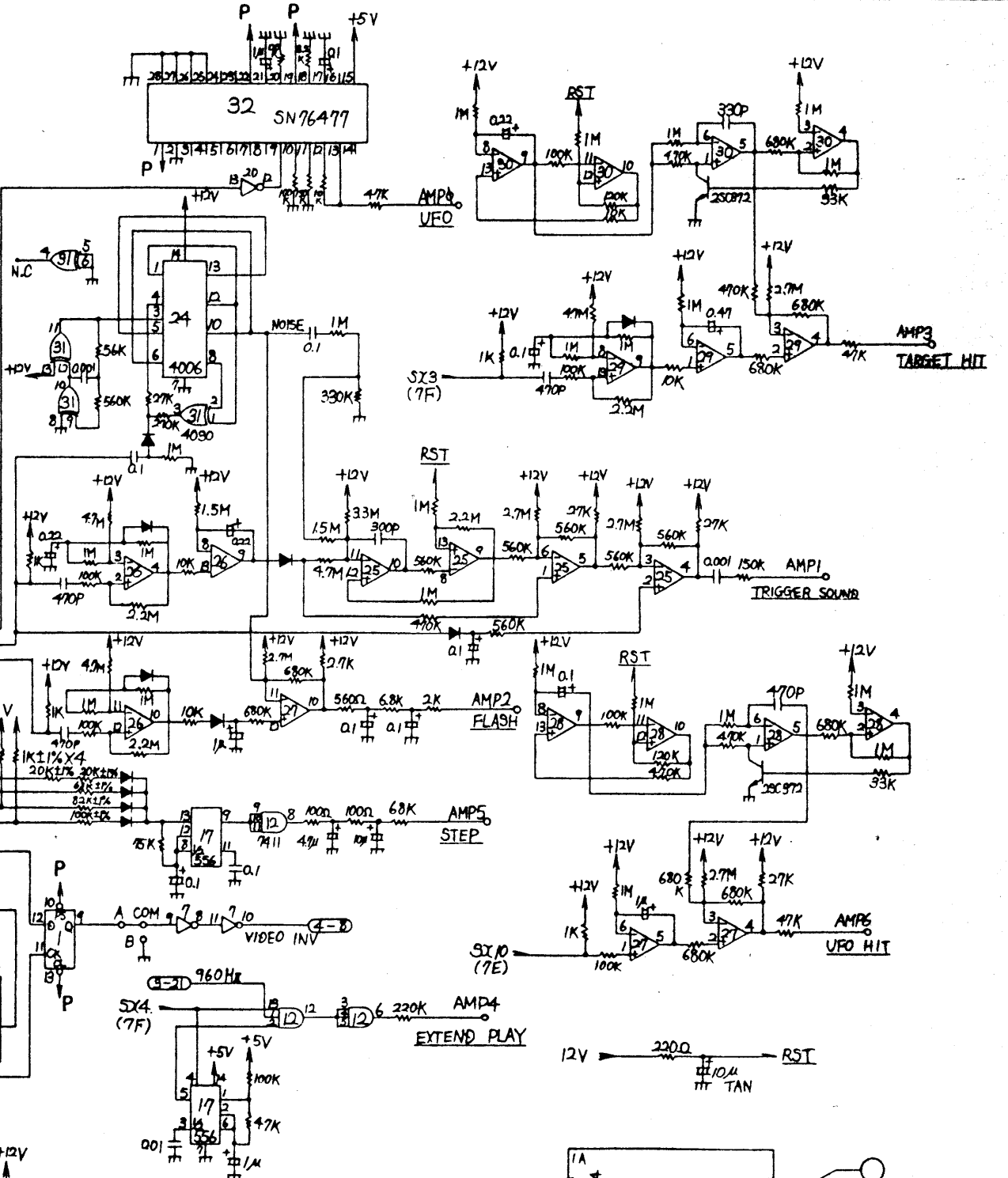
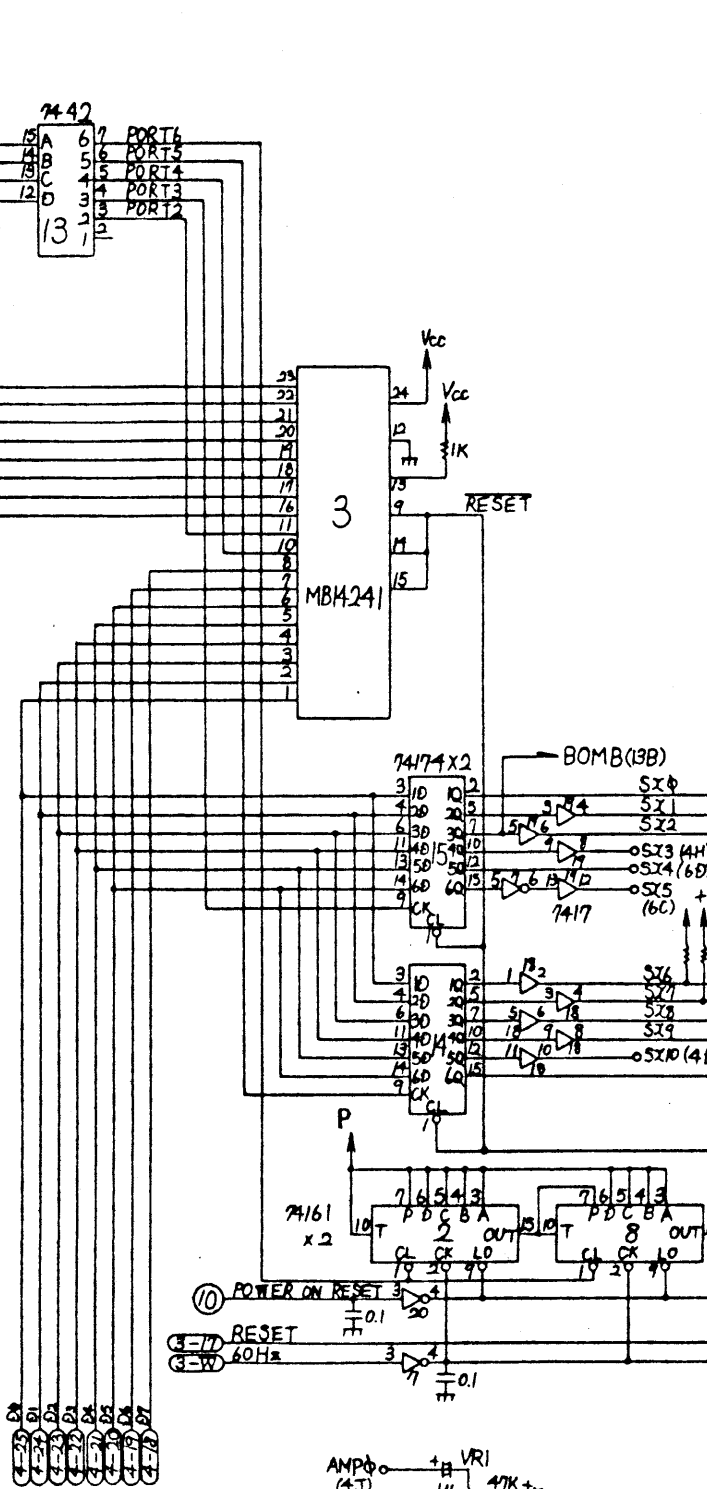
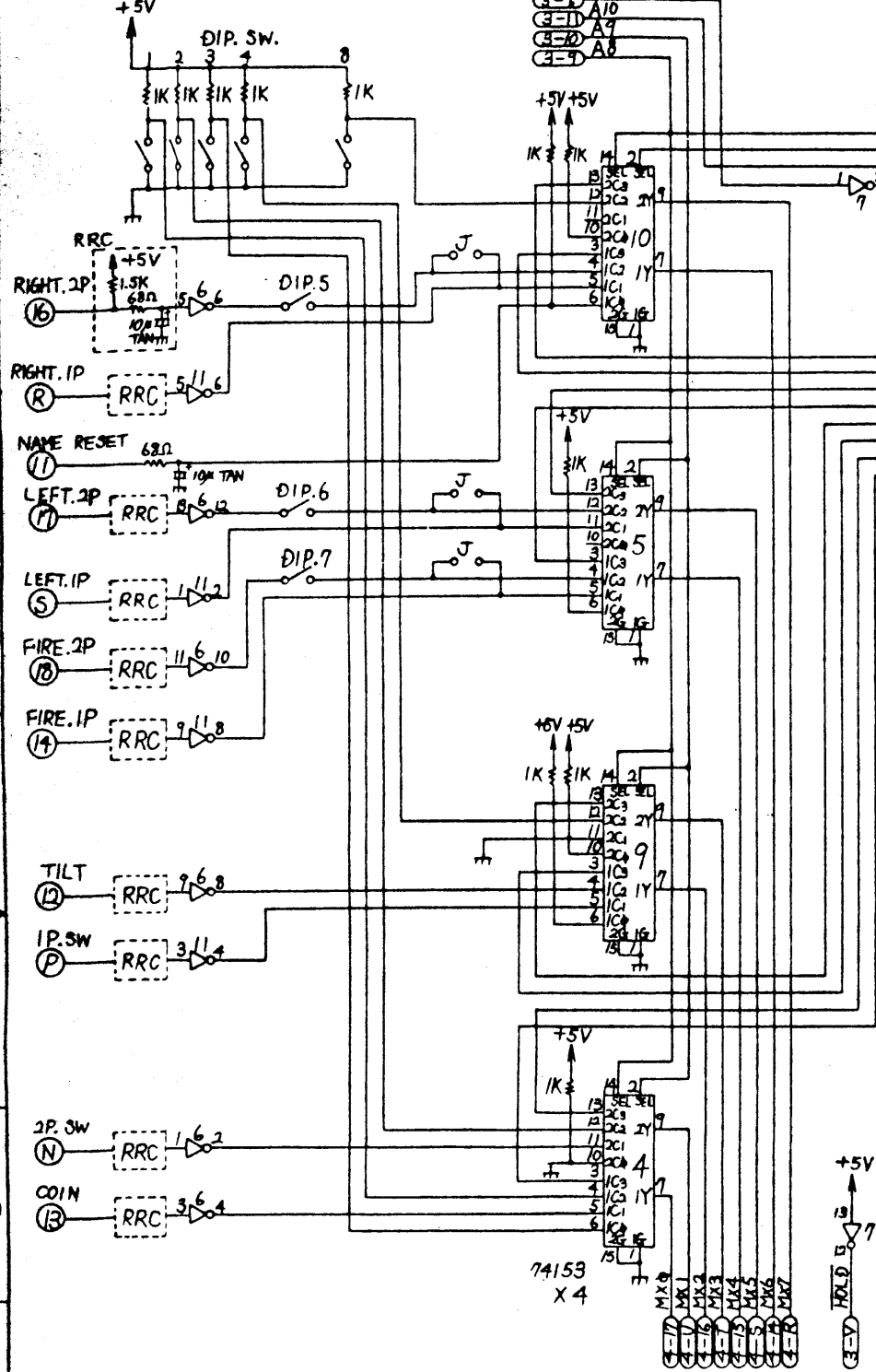


出図
55.2.22

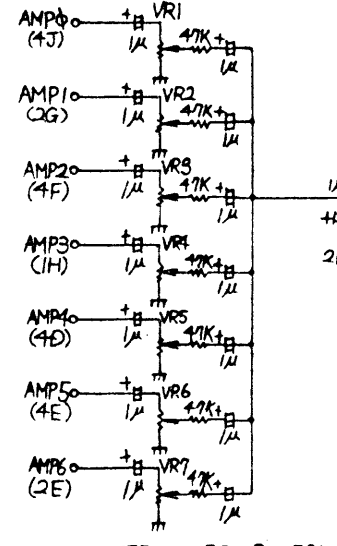
#760037
(A0017750)

TAITO CORPORATION	DATE: 5-26-80
FIELD SERVICE ENGINEER	NAME: J. Anguina
DESCRIPTION OF WORK	NO. 0017750
DATE	NO. 0017750
REVISIONS	NO. 0017750
DATE	NO. 0017750
NO. 0017750	NO. 0017750

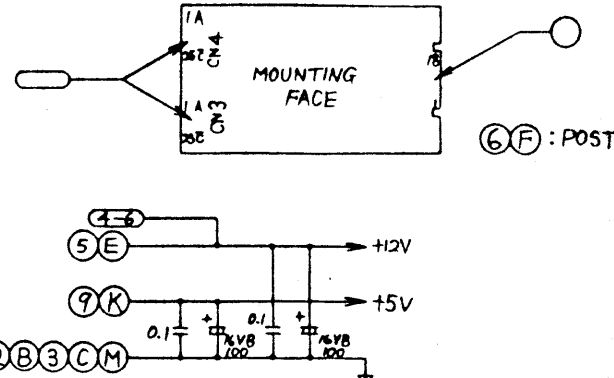
AAR00165



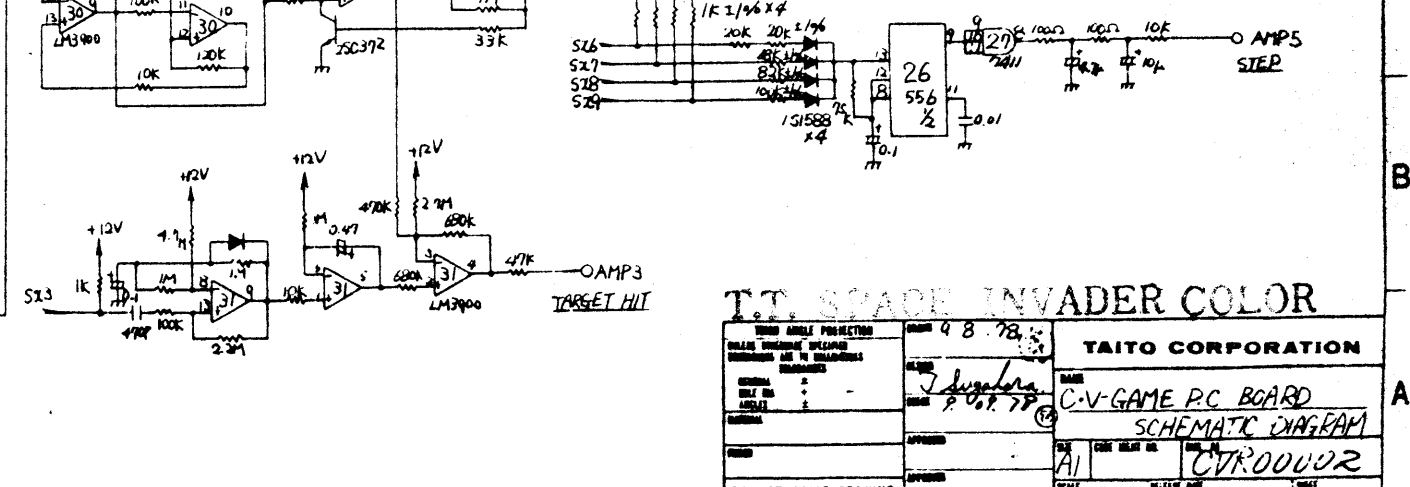
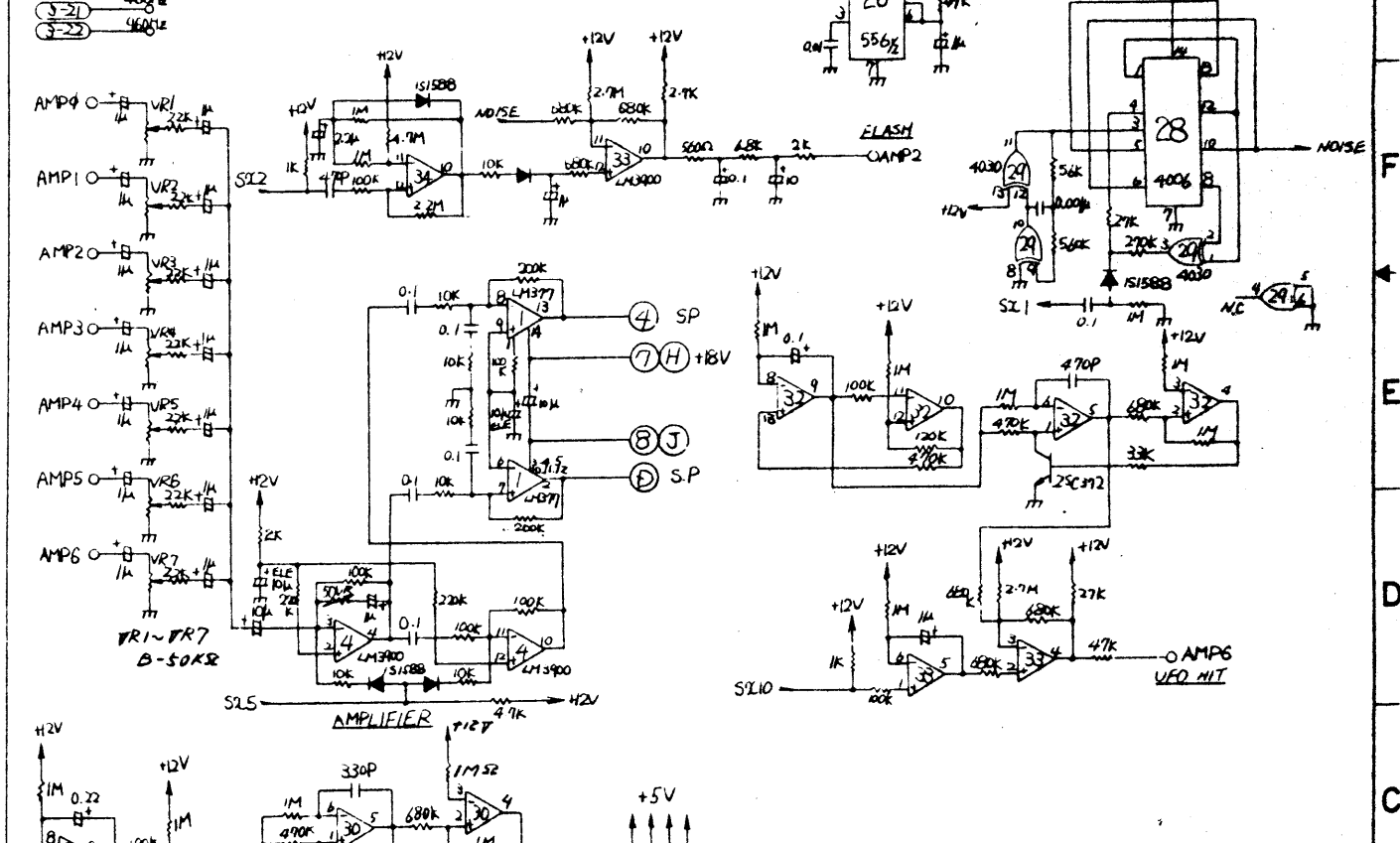
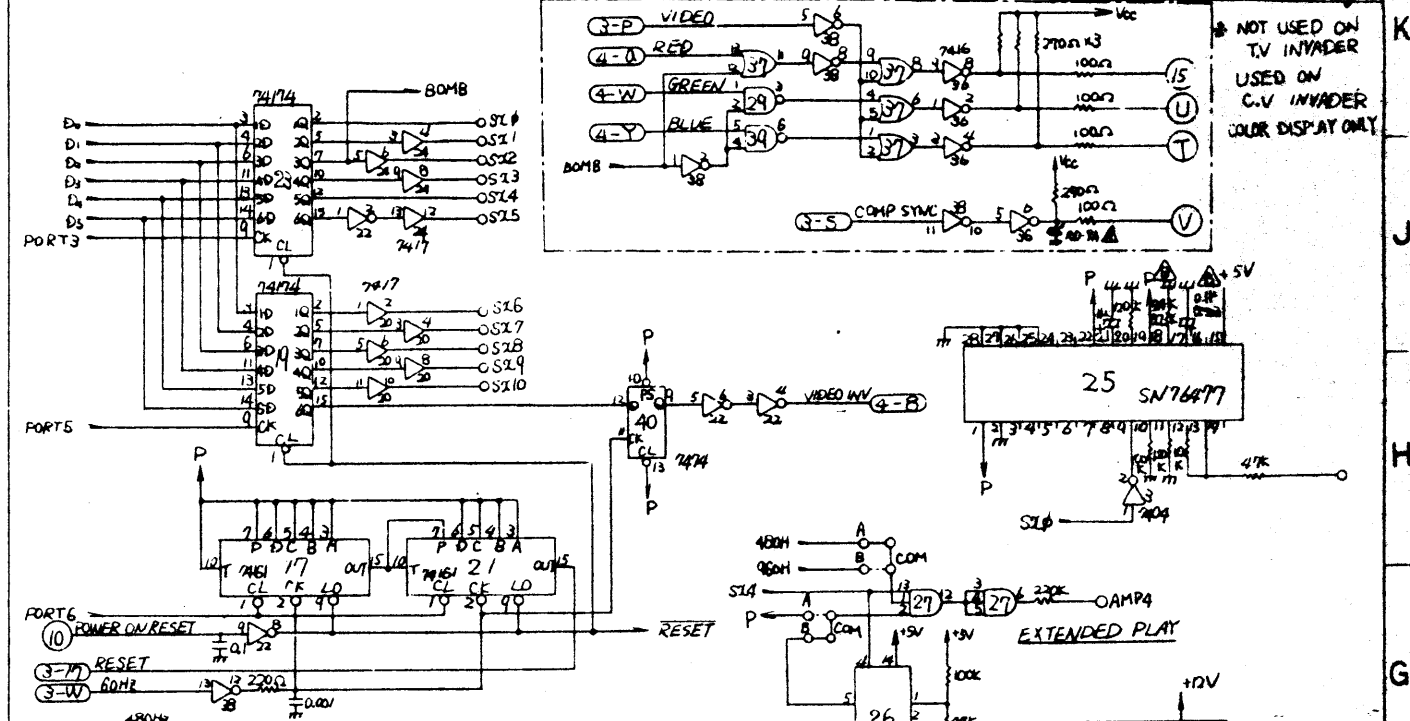
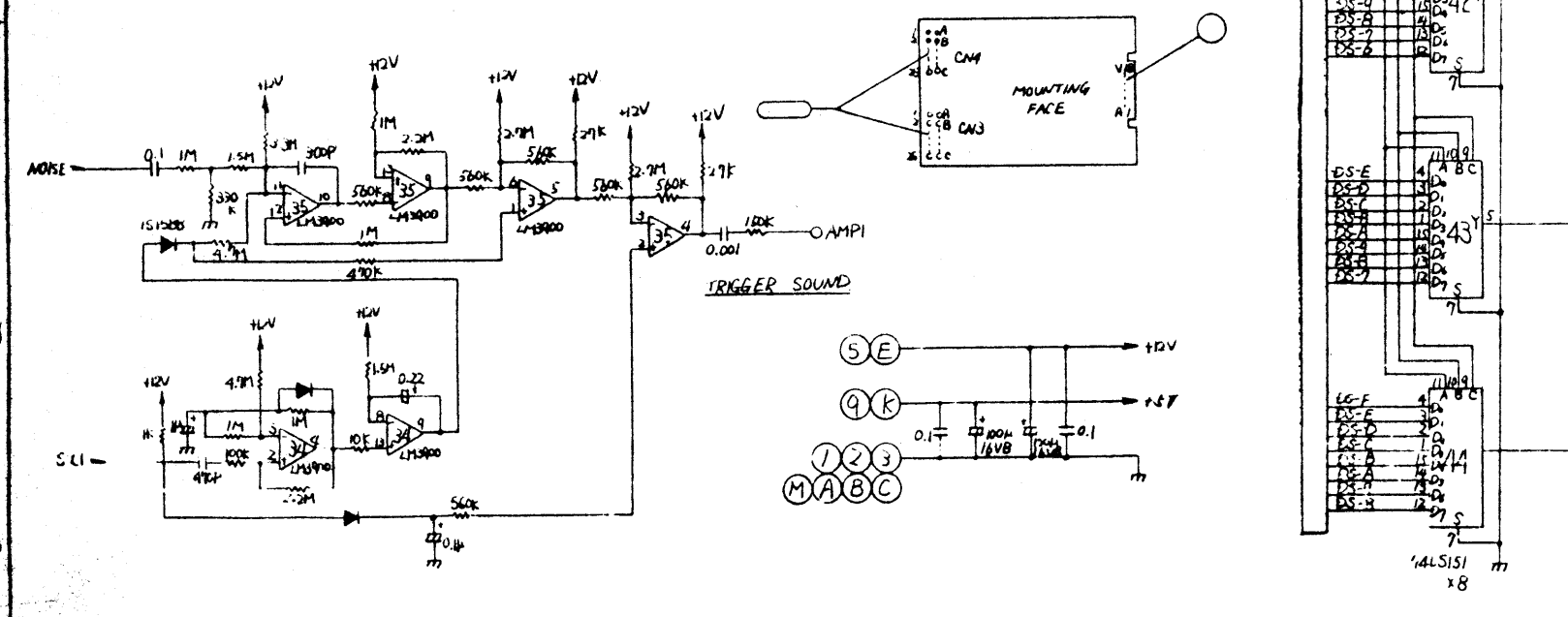
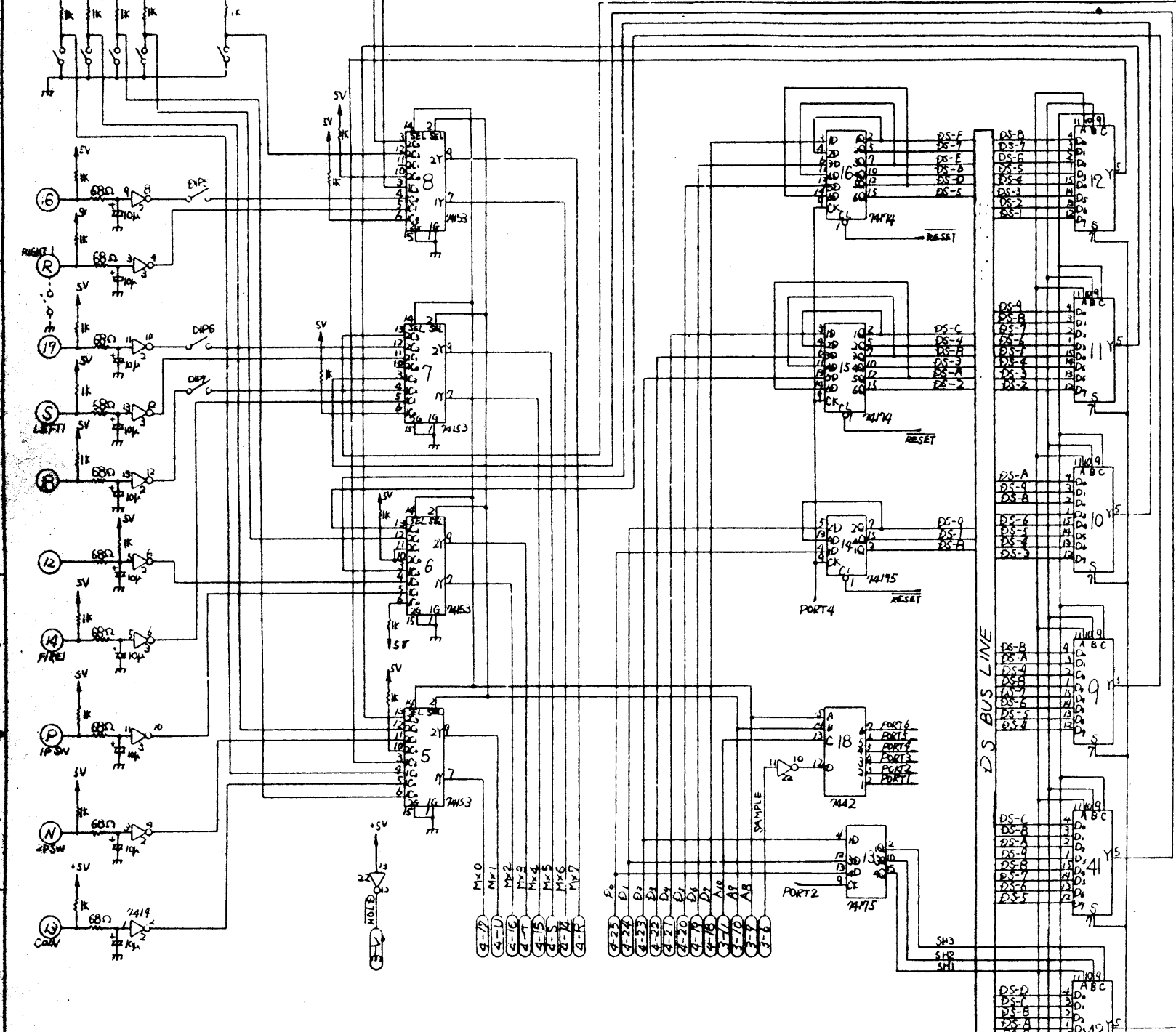
USED ON 0V INVADER COLOR DISPLAY ONLY



VR1~VR7: B-50K



TAITO CORPORATION T.T. SPACE INVADERS PART 1 COLOR P.V. GAME PC BOARD SCHEMATIC DIAGRAM PV000001	7.19.79 J. Shimada 20.77	PVN00004 DO NOT SCALE DRAWING
---	--------------------------------	----------------------------------



T.T. SPACE INVADER COLOR

TAITO CORPORATION NO. 48 78-5 MADE IN JAPAN	TAITO CORPORATION C-V GAME PC BOARD SCHEMATIC DIAGRAM CTR00002
---	--

DO NOT SCALE DRAWING

